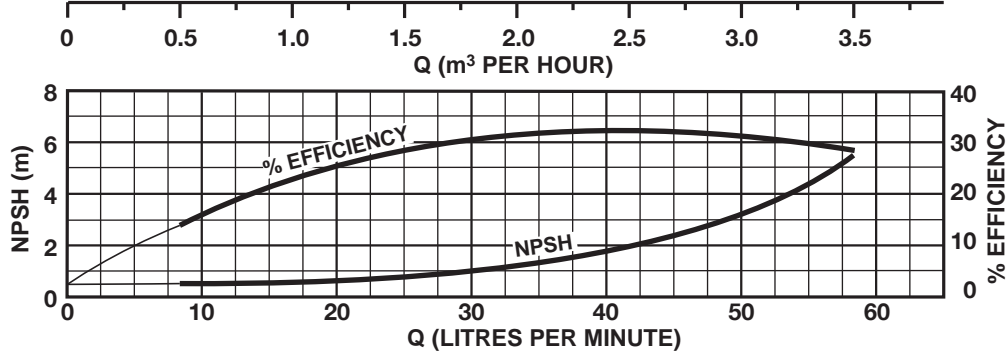
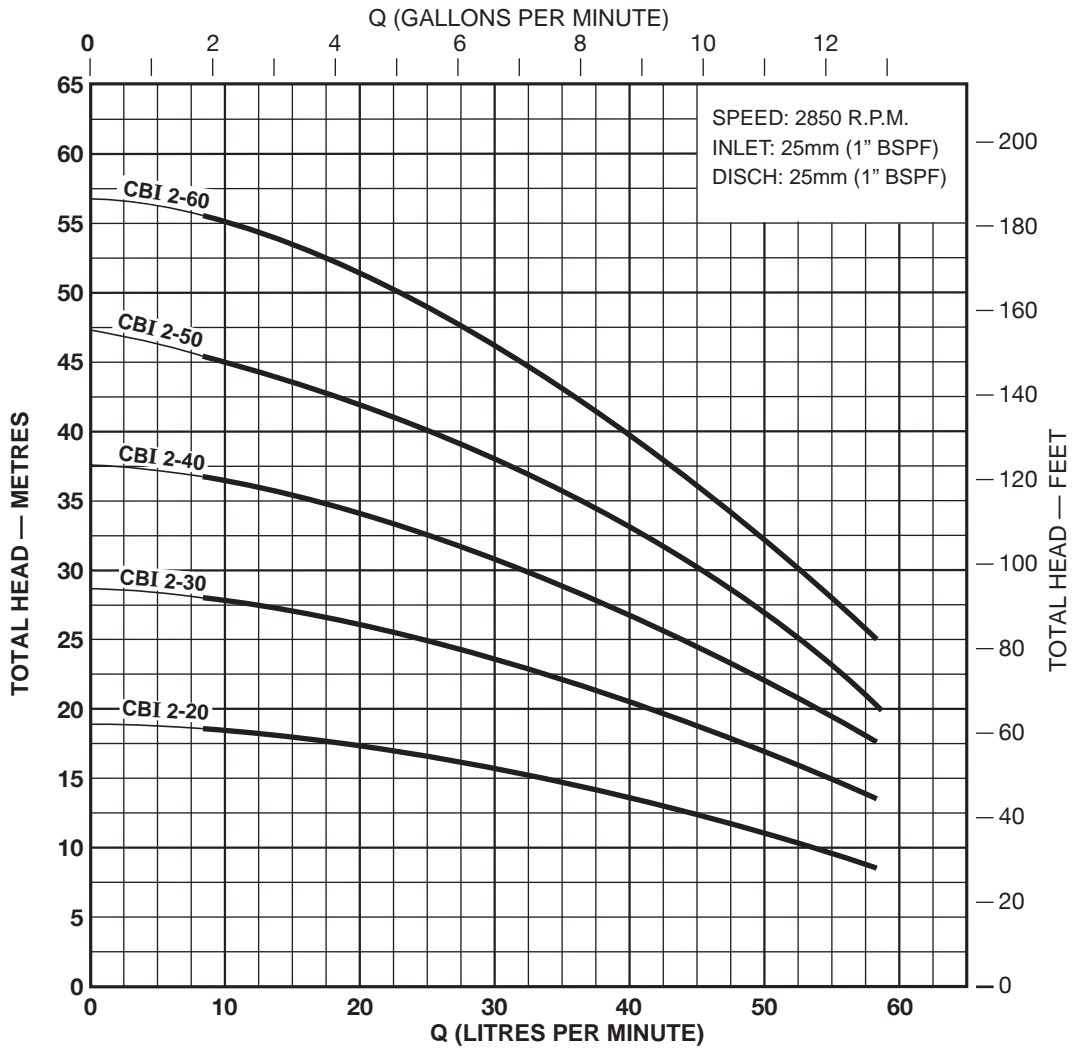




PUMP PERFORMANCE DATA

CBI 2 50Hz

HORIZONTAL MULTI-STAGE TRANSFER PUMPS



ELECTRICAL DATA

Pump Model	P1(W)		FLA	
	240V / 1Ph	415V / 3Ph	240V / 1Ph	415V / 3Ph
CBI 2-20	420	380	2.1	1.1
CBI 2-30	480	460	2.3	1.2
CBI 2-40	570	560	2.6	1.2
CBI 2-50	680	660	3.2	1.6
CBI 2-60	810	810	3.7	1.6

Performance to AS2417 Grade 2 for clean, cold water only.

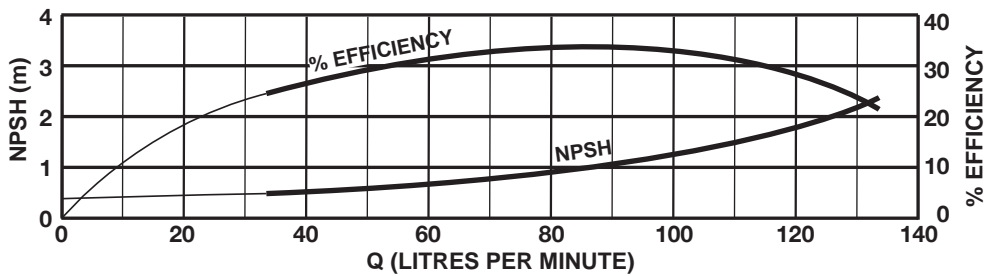
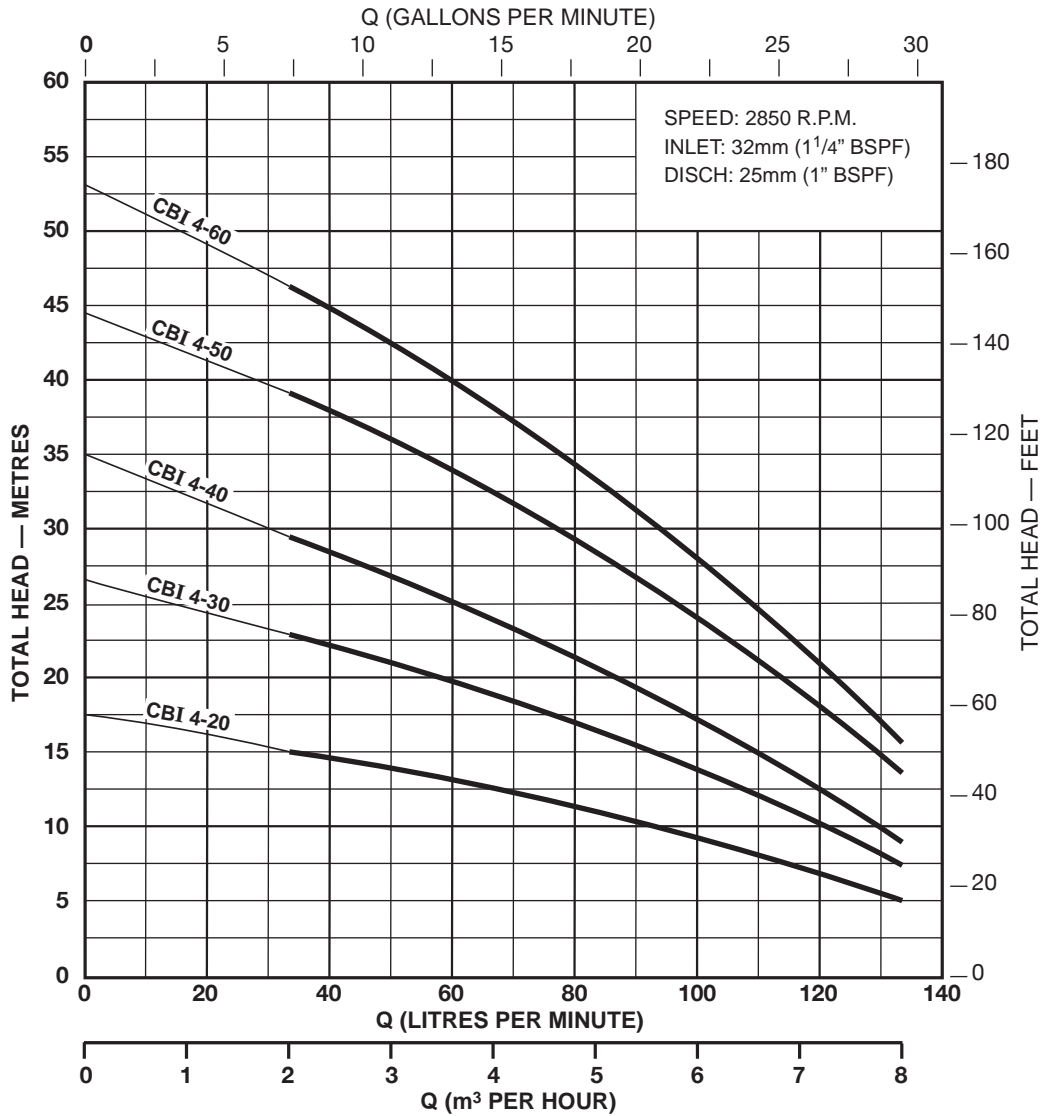
December 2007

CBI 4 50Hz

HORIZONTAL MULTI-STAGE TRANSFER PUMPS



PUMP PERFORMANCE DATA



ELECTRICAL DATA

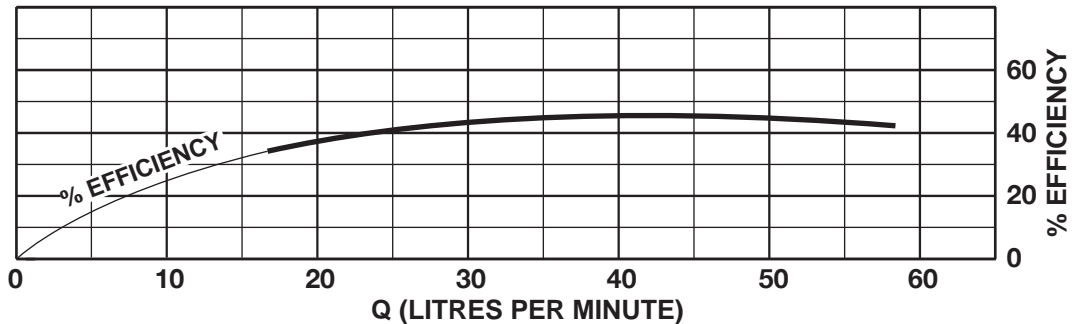
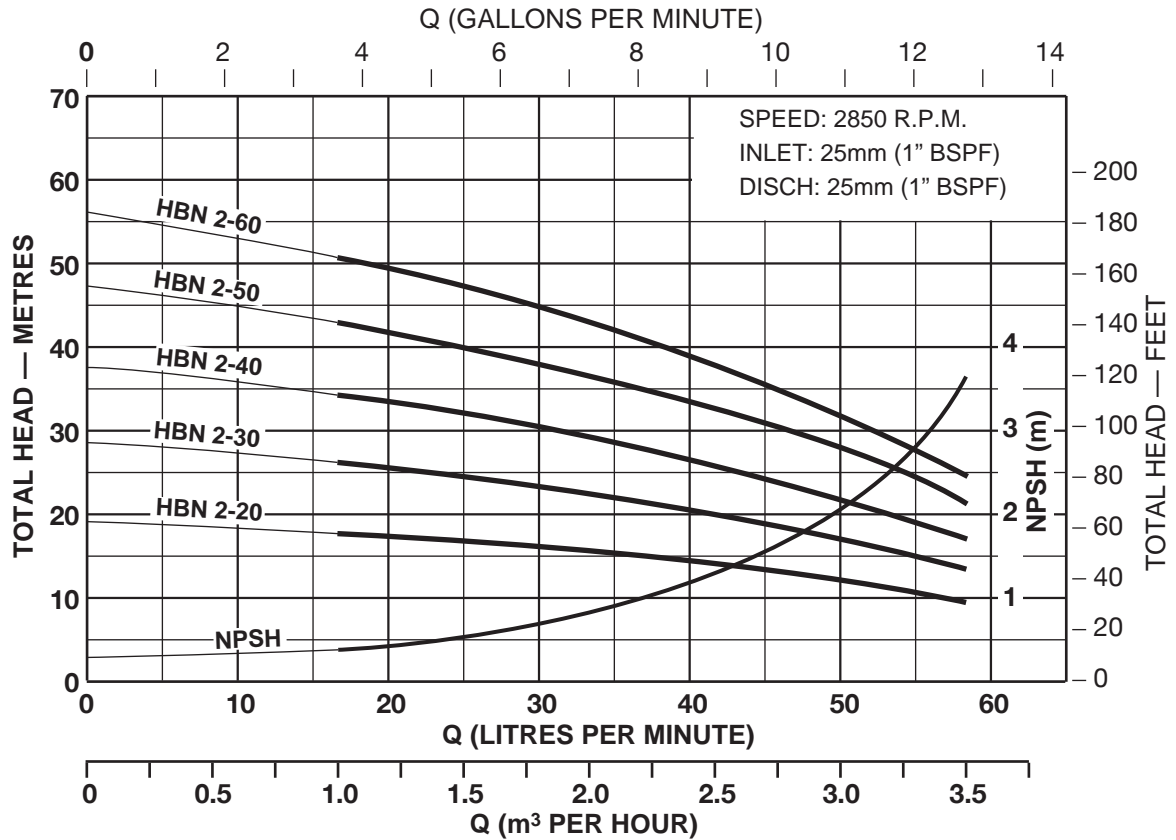
Pump Model	P1(W)		FLA	
	240V / 1Ph	415V / 3Ph	240V / 1Ph	415V / 3Ph
CBI 4-20	540	560	2.4	1.2
CBI 4-30	820	770	3.5	1.3
CBI 4-40	1020	1000	4.3	1.8
CBI 4-50	1220	1200	5.4	2.3
CBI 4-60	1450	1400	6.2	2.7

HBN 2 50Hz

HORIZONTAL MULTI-STAGE TRANSFER PUMPS



PUMP PERFORMANCE DATA



ELECTRICAL DATA

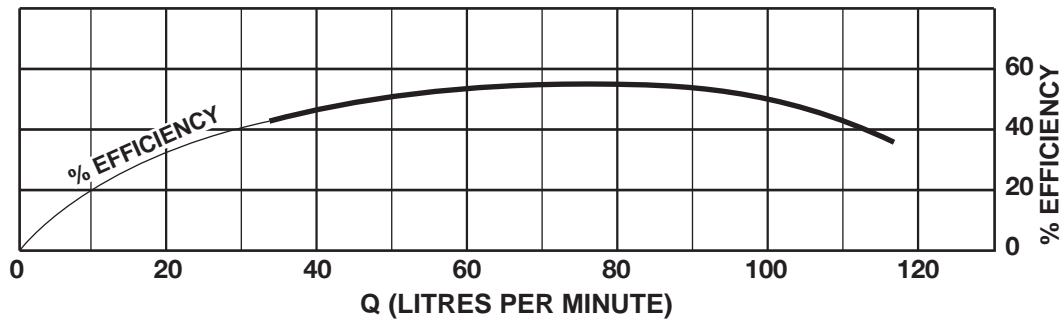
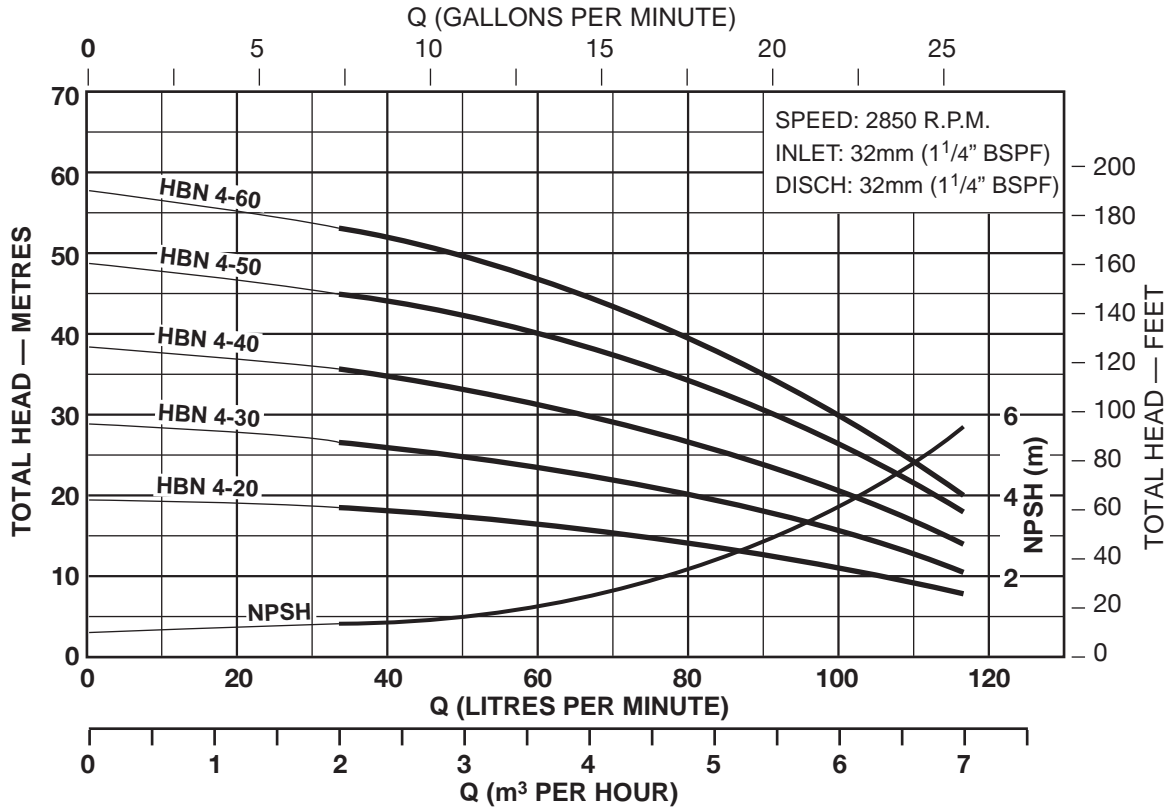
Pump Model	P1(W)		FLA	
	240V / 1Ph	415V / 3Ph	240V / 1Ph	415V / 3Ph
HBN 2-20	450	370	1.9	1.1
HBN 2-30	540	480	2.4	1.1
HBN 2-40	630	620	2.8	1.2
HBN 2-50	800	820	3.8	1.6
HBN 2-60	940	910	4.2	1.6

HBN 4 50Hz

HORIZONTAL MULTI-STAGE TRANSFER PUMPS



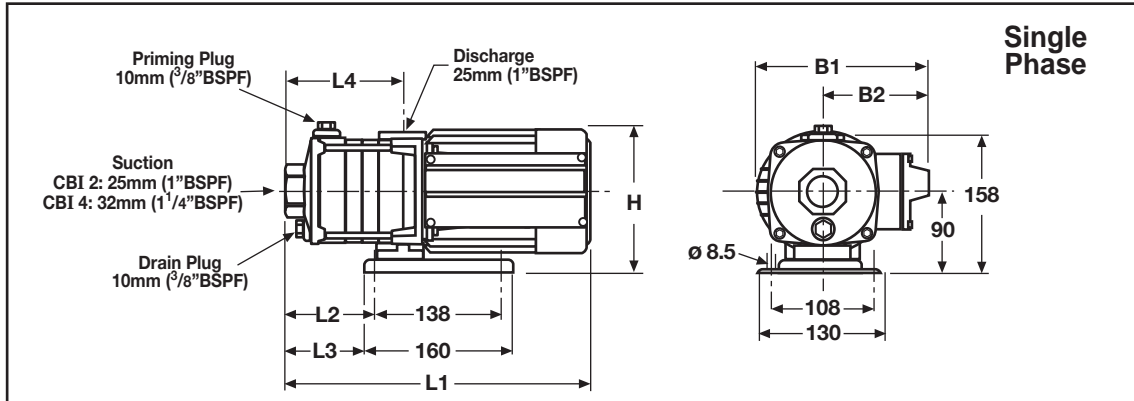
PUMP PERFORMANCE DATA



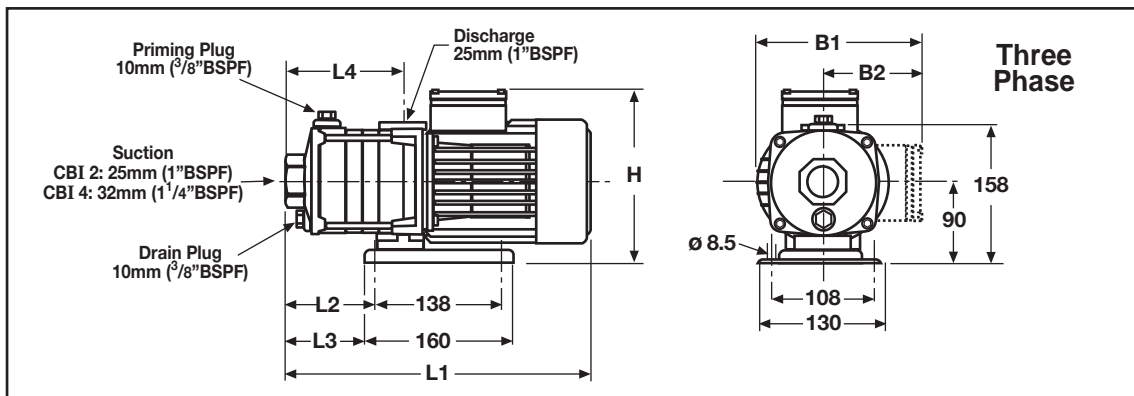
ELECTRICAL DATA

Pump Model	P1(W)		FLA	
	240V / 1Ph	415V / 3Ph	240V / 1Ph	415V / 3Ph
HBN 4-20	560	560	2.5	1.2
HBN 4-30	760	720	3.5	1.4
HBN 4-40	1000	980	4.8	1.8
HBN 4-50	1220	1210	5.7	2.3
HBN 4-60	1410	1410	6.4	2.7

DIMENSIONS AND WEIGHTS



Pump Model	mm							kg
	L1	L2	L3	L4	B1	B2	H	Single Phase
CBI 2-20S	307	73	62	100	204	134	160	11.3
CBI 2-30S	325	91	80	118	204	134	160	11.9
CBI 2-40S	343	109	98	136	204	134	160	12.1
CBI 2-50S	361	127	116	154	204	134	160	11.4
CBI 2-60S	419	145	134	172	204	134	160	12.6
CBI 4-20S	317	82	73	110	204	134	160	10.8
CBI 4-30S	346	110	101	138	204	134	160	12.2
CBI 4-40S	413	138	129	165	204	134	160	13.1
CBI 4-50S	441	166	157	193	204	134	160	14.2
CBI 4-60S	469	194	185	221	204	134	160	15.1



Pump Model	mm							kg
	L1	L2	L3	L4	B1	B2	H	Three Phase
CBI 2-20T	307	73	62	100	190	120	210	11.4
CBI 2-30T	325	91	80	118	190	120	210	11.6
CBI 2-40T	343	109	98	136	190	120	210	11.8
CBI 2-50T	361	127	116	154	190	120	210	11.9
CBI 2-60T	419	145	134	172	190	120	210	12.4
CBI 4-20T	317	82	73	110	190	120	210	11
CBI 4-30T	346	110	101	138	190	120	210	12.5
CBI 4-40T	413	138	129	165	190	120	210	13.3
CBI 4-50T	441	166	157	193	190	120	210	13.8
CBI 4-60T	469	194	185	221	190	120	210	14.9

HBN

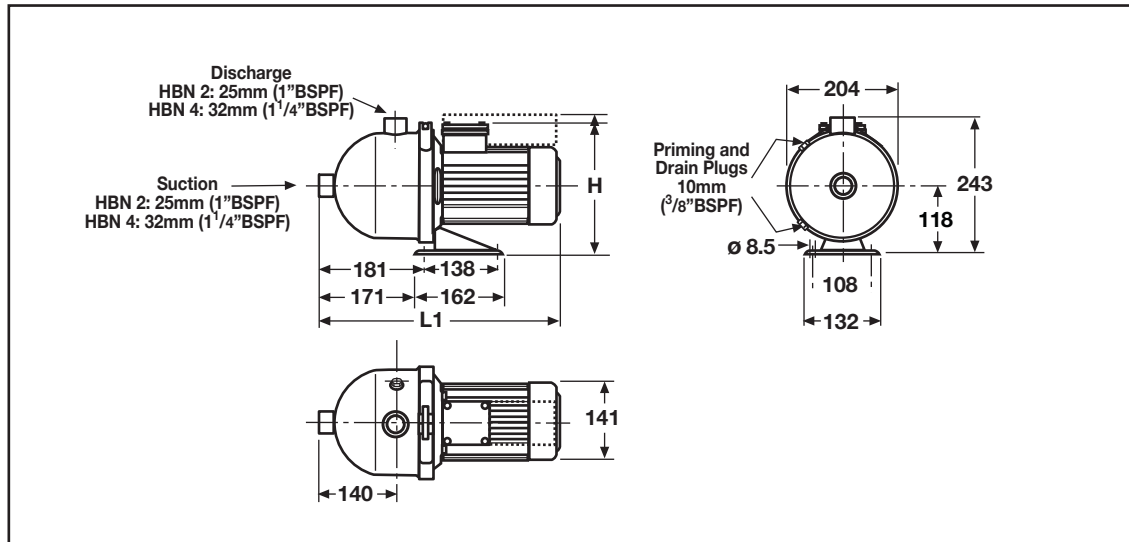
50Hz

HORIZONTAL MULTI-STAGE TRANSFER PUMPS



TECHNICAL DATA

DIMENSIONS AND WEIGHTS



Pump Model	mm				Weight kg
	Single Phase		Three Phase		
	L1	H	L1	H	
HBN 2-20	403	247	403	233	9.6
HBN 2-30	403	247	403	233	9.6
HBN 2-40	403	247	403	233	10.1
HBN 2-50	403	247	403	233	10.8
HBN 2-60	403	247	403	233	11.0
HBN 4-20	403	247	403	233	9.6
HBN 4-30	403	247	403	233	9.6
HBN 4-40	403	247	403	233	10.6
HBN 4-50	441	247	441	233	12.1
HBN 4-60	441	247	441	233	12.3

December 2007